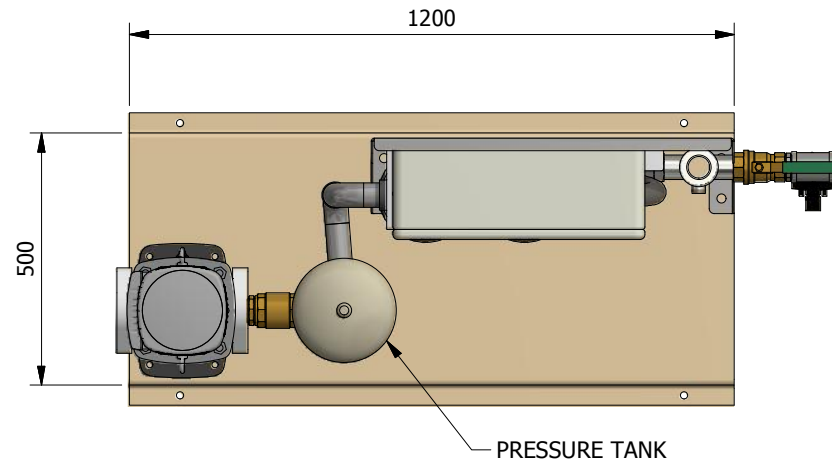


Hydro Q20B SPECIFICATIONS:

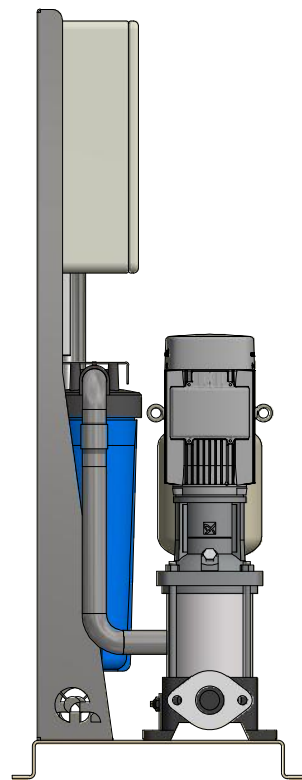
PUMP: Grundfos Multistage CR 10-6
DUTY: 2 L/s @ 600 Kpa

FILTRATION: Dual Cartridge
DISINFECTION: Ultra Violet

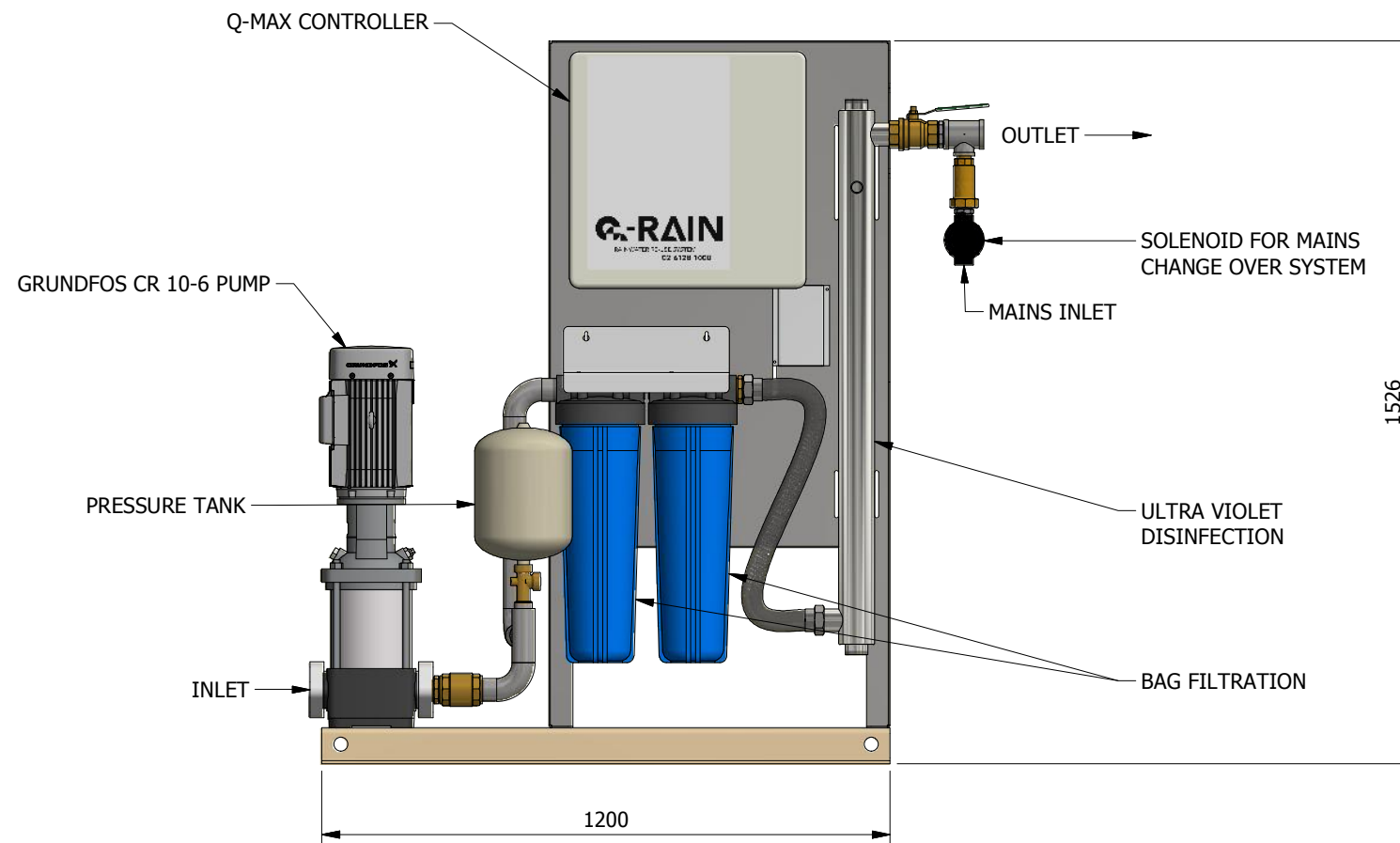
MAINS WATER CHANGE OVER: DN40 Solenoid Valve



PLAN VIEW (1 : 15)



END VIEW (1 : 15)



ELEVATION (1 : 15)

- Copyright of this design shown hereon is retained by Q-MAX PUMPING SYSTEMS.
- Reproduction of any kind not permitted unless prior authorisation is given in writing from Q-MAX PUMPING SYSTEMS.
- Figured dimensions to be used in preference to scaling.
- Any dimensional or drawing discrepancy to be referred to the Q-MAX Project Manager prior to the commencement of work.

Status
GENERAL DRAFT

QMAX
 PUMPING SYSTEMS
 Q-MAX PUMPING SYSTEMS
 PO BOX 6006
 72 HIGH STREET
 QUEANBEYAN NSW 2620
 P 02 6128 1000 F 02 6299 7613
 E
 ADMIN@QMAXPUMPING.COM.AU
 WWW.QMAXPUMPING.COM.AU
 DESIGN FOR PERFORMANCE
 BASED ON EXPERIENCE

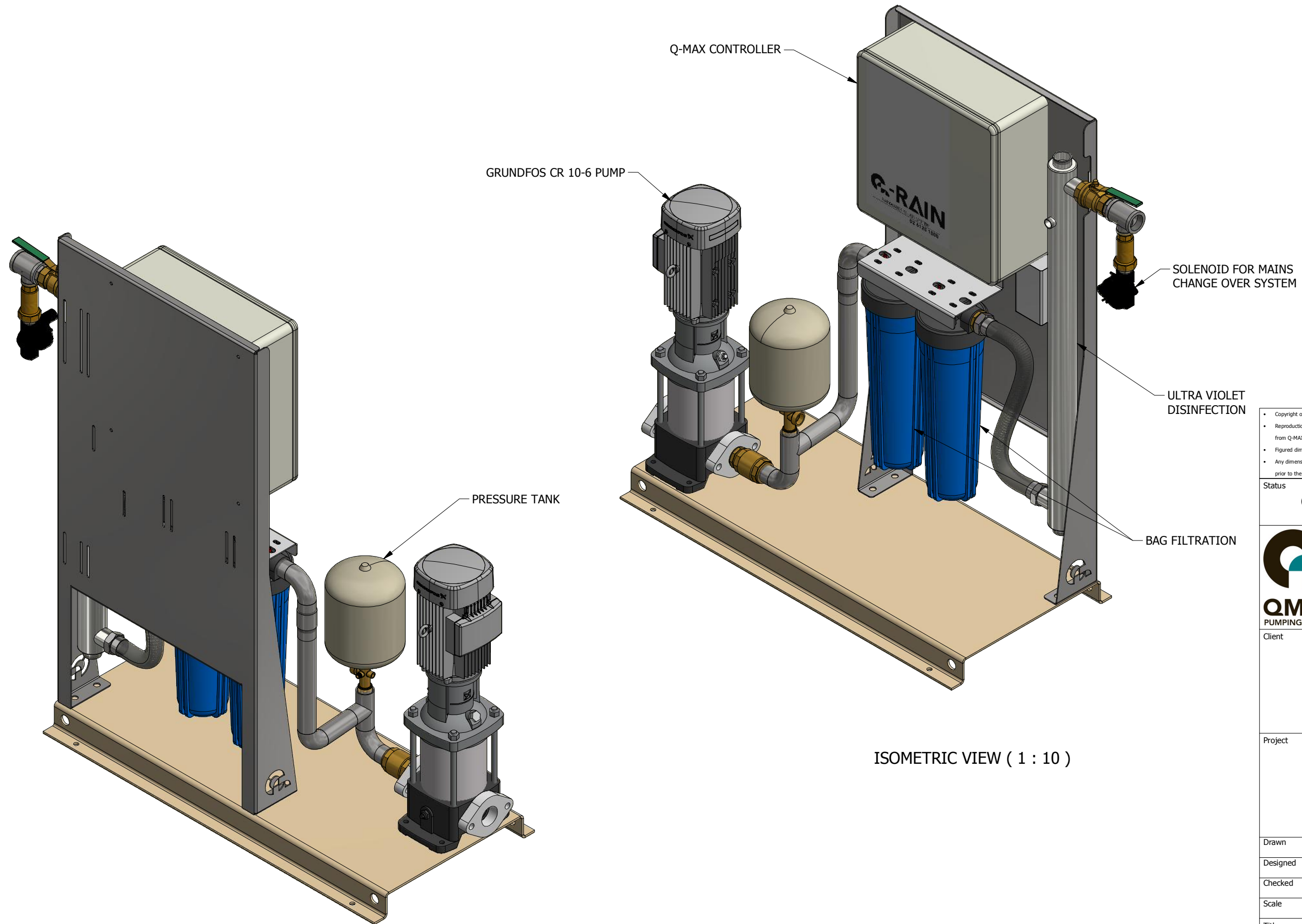
Client
 -

Project
 -

Drawn	S. PATEL	Date	9/12/2016
Designed	D. PRIDHAM	Sheet	1 / 2
Checked	P. PRIDHAM	Size	A3
Scale	1 : 15		

Title
**Q-MAX HYDRO-Q20
 GENERAL ARRANGEMENT**

Drg No.	HYD-Q20/A1	Rev	A
---------	------------	-----	---



ISOMETRIC VIEW (1 : 10)

ISOMETRIC VIEW (1 : 10)

- Copyright of this design shown hereon is retained by Q-MAX PUMPING SYSTEMS.
- Reproduction of any kind not permitted unless prior authorisation is given in writing from Q-MAX PUMPING SYSTEMS.
- Figured dimensions to be used in preference to scaling.
- Any dimensional or drawing discrepancy to be referred to the Q-MAX Project Manager prior to the commencement of work.

Status
GENERAL DRAFT

Q-MAX PUMPING SYSTEMS
PO BOX 6006
72 HIGH STREET
QUEANBEYAN NSW 2620
P 02 6128 1000 F 02 6299 7613
E
ADMIN@QMAXPUMPING.COM.AU
WWW.QMAXPUMPING.COM.AU

QMAX
PUMPING SYSTEMS

DESIGN FOR PERFORMANCE
BASED ON EXPERIENCE

Client
-

Project
-

Drawn	S. PATEL	Date	9/12/2016
Designed	D. PRIDHAM		
Checked	P. PRIDHAM	Sheet	2 / 2
Scale	1 : 10	Size	A3

Title
**Q-MAX HYDRO-Q20
GENERAL ARRANGEMENT
ISOMETRIC VIEWS**

Dwg No.	HYD-Q20/A2	Rev	A
---------	------------	-----	---