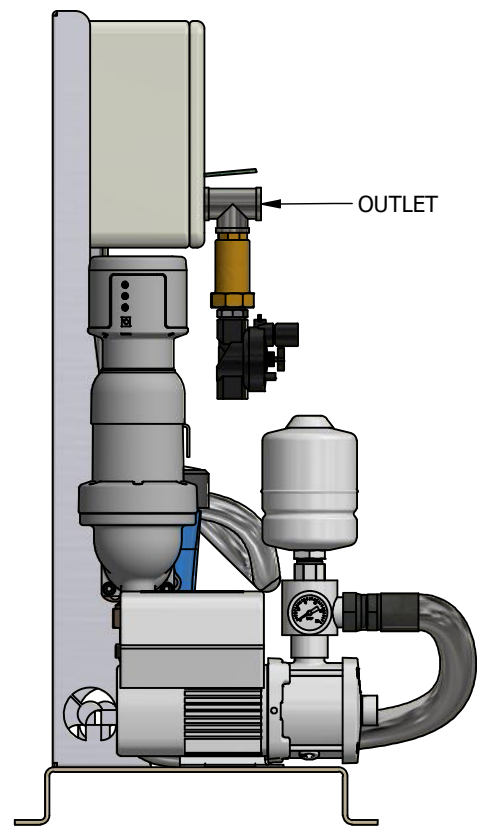
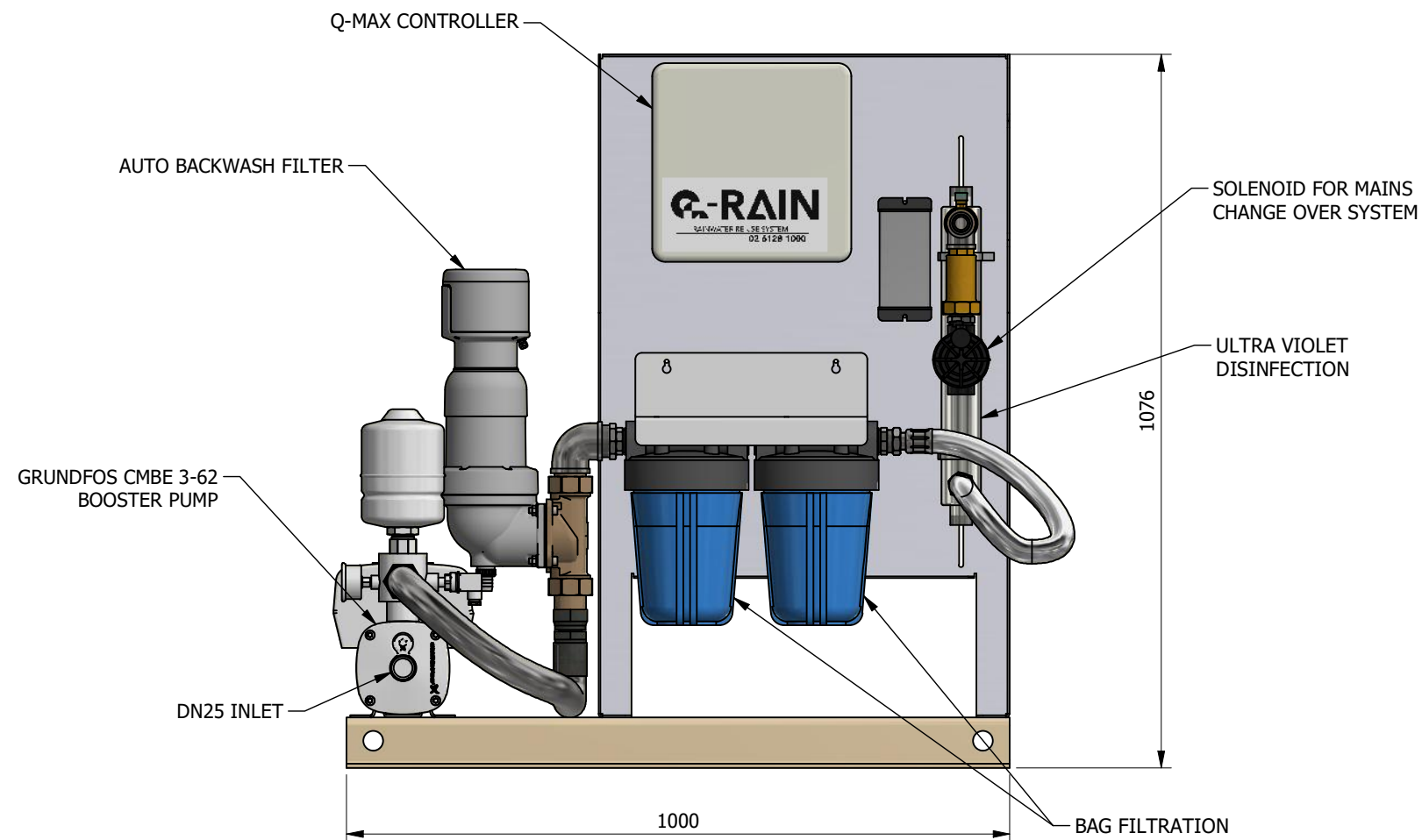


PLAN VIEW ( 1 : 10 )



END VIEW ( 1 : 10 )



ELEVATION ( 1 : 10 )

• Copyright of this design shown hereon is retained by Q-MAX PUMPING SYSTEMS.  
 • Reproduction of any kind not permitted unless prior authorisation is given in writing from Q-MAX PUMPING SYSTEMS.  
 • Figured dimensions to be used in preference to scaling.  
 • Any dimensional or drawing discrepancy to be referred to the Q-MAX Project Manager prior to the commencement of work.

Status  
**GENERAL DRAFT**

**QMAX**  
 PUMPING SYSTEMS  
 Q-MAX PUMPING SYSTEMS  
 PO BOX 6006  
 72 HIGH STREET  
 QUEANBEYAN NSW 2620  
 P 02 6128 1000 F 02 6299 7613  
 E  
 ADMIN@QMAXPUMPING.COM.AU  
 WWW.QMAXPUMPING.COM.AU  
 DESIGN FOR PERFORMANCE  
 BASED ON EXPERIENCE

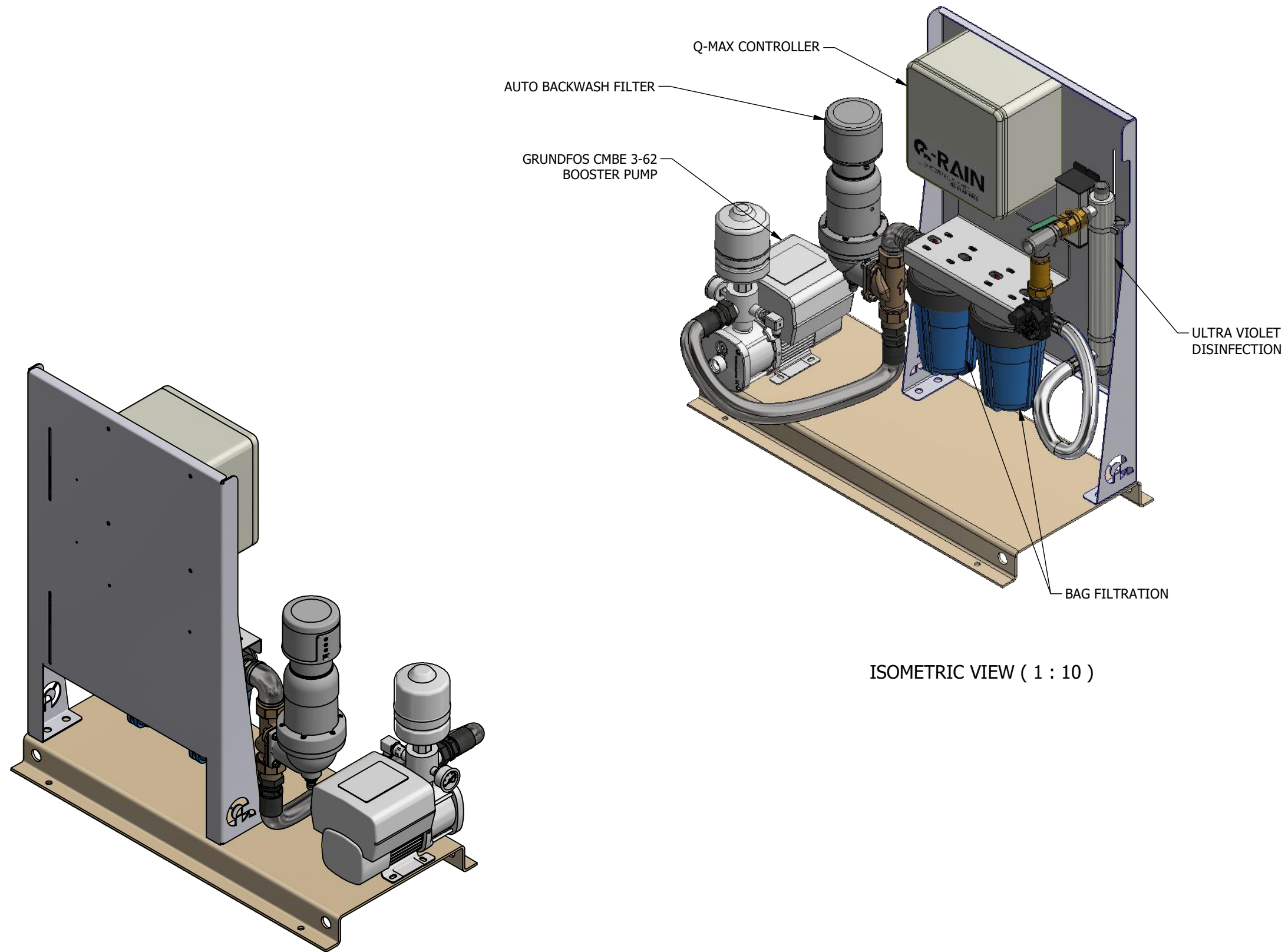
Client  
 -

Project  
 -

Drawn	S. PATEL	Date	4/07/2019
Designed	D. PRIDHAM	Sheet	1 / 2
Checked	P. PRIDHAM	Size	A3
Scale	1 : 10		

Title  
**Q-MAX HYDRO-Q5-B  
 GENERAL ARRANGEMENT**

Drg No.	HYD-Q5-B/A1	Rev	A
---------	-------------	-----	---




ISOMETRIC VIEW ( 1 : 10 )

ISOMETRIC VIEW ( 1 : 10 )

- Copyright of this design shown hereon is retained by Q-MAX PUMPING SYSTEMS.
- Reproduction of any kind not permitted unless prior authorisation is given in writing from Q-MAX PUMPING SYSTEMS.
- Figured dimensions to be used in preference to scaling.
- Any dimensional or drawing discrepancy to be referred to the Q-MAX Project Manager prior to the commencement of work.

Status  
**GENERAL DRAFT**


**QMAX**  
 PUMPING SYSTEMS

Q-MAX PUMPING SYSTEMS  
 PO BOX 6006  
 72 HIGH STREET  
 QUEANBEYAN NSW 2620  
 P 02 6128 1000 F 02 6299 7613  
 E  
 ADMIN@QMAXPUMPING.COM.AU  
 WWW.QMAXPUMPING.COM.AU

DESIGN FOR PERFORMANCE  
 BASED ON EXPERIENCE

Client  
-

Project  
-

Drawn	S. PATEL	Date	4/07/2019
Designed	D. PRIDHAM		
Checked	P. PRIDHAM	Sheet	2 / 2
Scale	1 : 10	Size	A3

Title  
**Q-MAX HYDRO-Q5-B  
GENERAL ARRANGEMENT  
ISOMETRIC VIEWS**

Dwg No.	HYD-Q5-B/A2	Rev	A
---------	-------------	-----	---