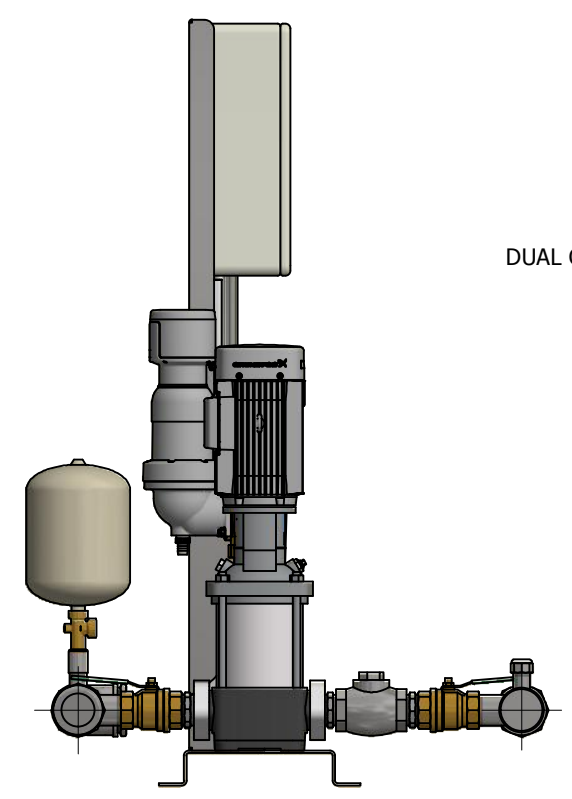


PLAN VIEW (1 : 15)

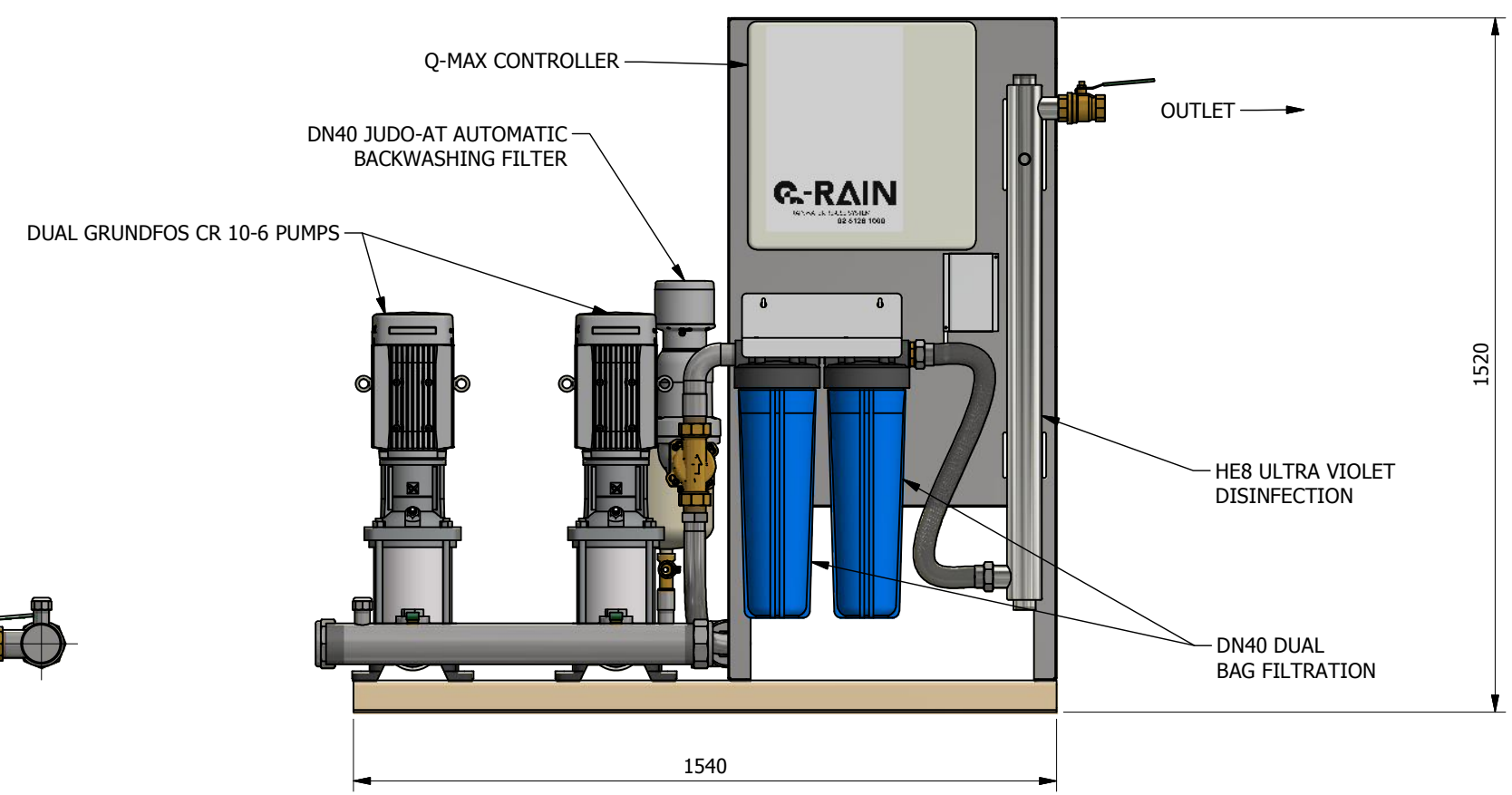
Hydro QD-20B SPECIFICATIONS:

PUMP: Dual Grundfos Multistage CR 10-6
DUTY: 2 L/s @ 600 Kpa

INITIAL FILTRATION: Judo Auto Backwash
FILTRATION: Dual Cartridge
DISINFECTION: Ultra Violet




ENDVIEW (1 : 15)

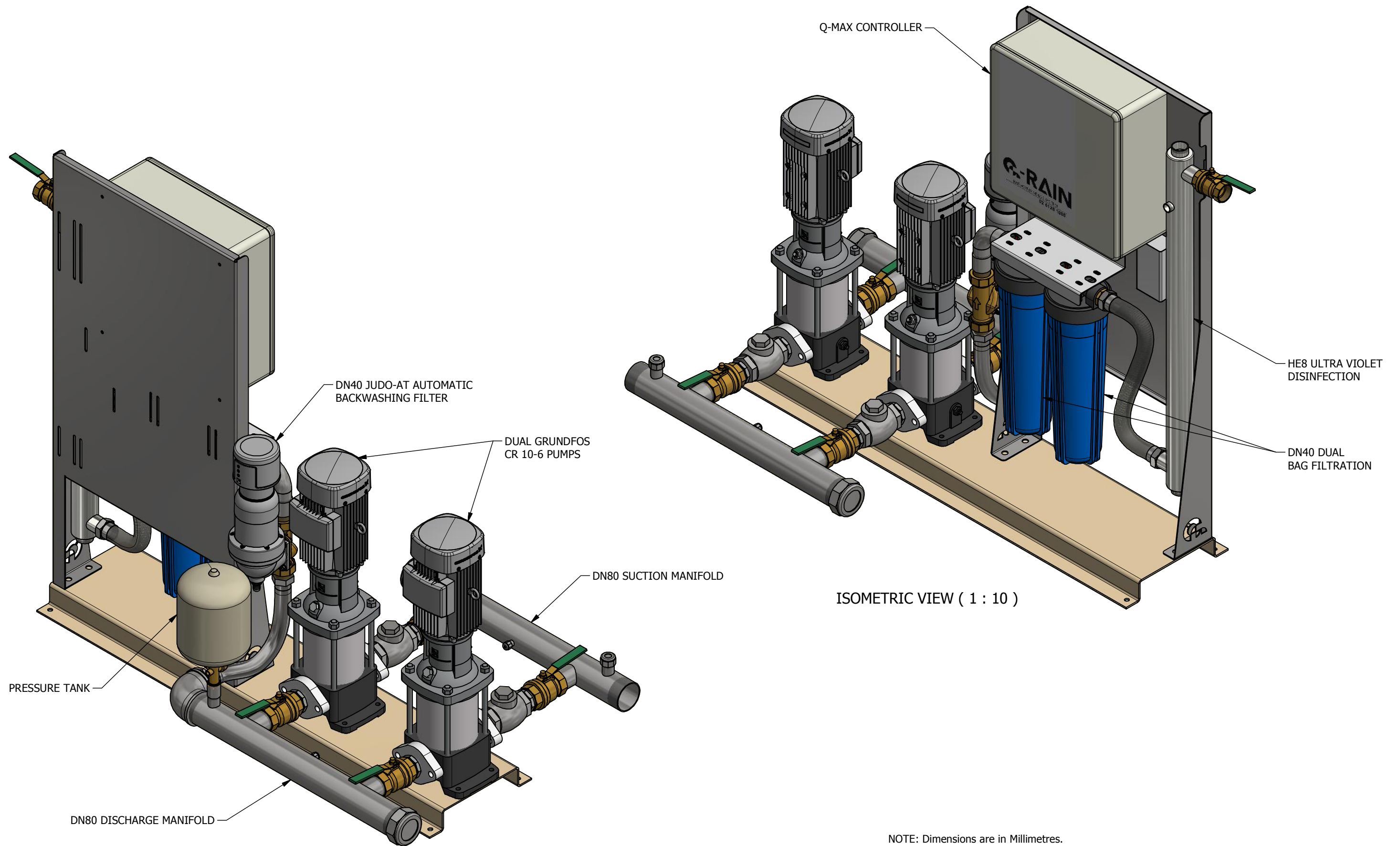


ELEVATION (1 : 15)

NOTE: Dimensions are in Millimetres.

 QMAX PUMPING SYSTEMS <small>DESIGNED FOR PERFORMANCE. BASED ON EXPERIENCE.</small>	Q-MAX PUMPING SYSTEMS PO BOX 6006 72 HIGH STREET QUEANBEYAN NSW 2620 P 02 6128 1000 F 02 6299 7613 E ADMIN@QMAXPUMPING.COM.AU WWW.QMAXPUMPING.COM.AU	Drawn S. PATEL	Designed D. PRIDHAM	Approved P. PRIDHAM	Date 17/07/2017
	Q-MAX HYDRO-QD 20B - DUAL PUMP GENERAL LAYOUT				
HYDRO-QD 20B/A1		Rev A	Size A3	Sheet 1 / 2	


©Copyright This drawing & design must not be copied in whole or in part without the written consent of Q-MAX PUMPING SYSTEMS



ISOMETRIC VIEW (1 : 10)

ISOMETRIC VIEW (1 : 10)

NOTE: Dimensions are in Millimetres.

 QMAX PUMPING SYSTEMS <small>DESIGNED FOR PERFORMANCE BASED ON EXPERIENCE.</small>	Q-MAX PUMPING SYSTEMS PO BOX 6006 72 HIGH STREET QUEANBEYAN NSW 2620 P 02 6128 1000 F 02 6299 7613 E ADMIN@QMAXPUMPING.COM.AU WWW.QMAXPUMPING.COM.AU	Drawn S. PATEL	Designed D. PRIDHAM	Approved P. PRIDHAM	Date 17/07/2017
	Q-MAX HYDRO-QD 20B - DUAL PUMP ISOMETRIC VIEWS				
HYDRO-QD 20B/A2		Rev A	Size A3	Sheet 2 / 2	